

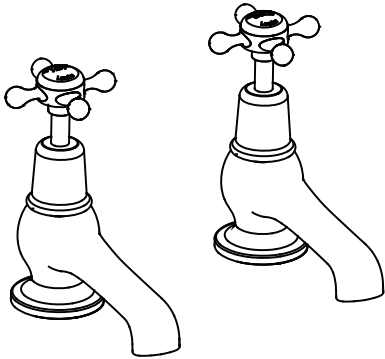
INSTALLATION INSTRUCTIONS

Basin Tap 3" **T5**

Basin Tap 5" **T6**

Bath Tap **T7**

(Excluding handles & bases)



* The package in this product has no the handles or bases supplied.
The handles shown in the diagram are for reference only.

Important

- We recommend that this product is installed by a qualified professional contractor. Such as a plumber who is certified by NVQ (National Vocational Qualification) or SNVQ (Scottish National Vocational Qualification) Level 3
- Please check this product immediately to ensure that it has not been damaged and is complete. Before installation, please make sure this product is the correct model and you have all the parts required for installation and using.
- All the taps in Burlington Range should be supplied with hot and cold water at balanced pressure. If not, then the mixing function will not work correctly. It is necessary to fit non-return valves on both hot and cold feeds pipe. These are not supplied.
- Please flush the water system to ensure that no metal swarf, solder, and other impurities can enter the taps.
- Turn off water supply before commencing work, this should be done at the isolating valves of inlet feeds if fitted or main stopcock.
- Please read these instructions carefully and keep it for future reference.

Working pressure

The tap is suitable for both high and low pressure installation. To ensure that the tap works well under low water pressure, the cold water storage tank must be at least 2 meters above the installed position. The maximum static pressure is 10 bar, and operating water pressure is 5 bar. Where the operating water pressure above 5 bar, then a pressure reducing valve must be fitted.

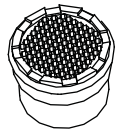
Straightener and aerator (alternative option)

The tap comes with a factory-fitted flow straightener for low pressure water systems. If the water flow is high, replace the factory-fitted flow straightener with the high pressure aerator supplied.

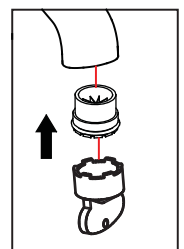
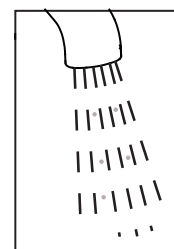
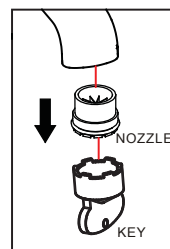
Use NEOPERL Key to unscrew the straightener in the Nozzle. Replace with the aerator provided, and screw back in nozzle tightly. (If you misplace the Neoperl key you can use the top of the aerator/straightener as a key)



FLOW STRAIGHTENER



AERATOR



Cleaning

Before use: Unscrew the filter and allow the water to run freely for 5 minutes. Then screw the filter back in place.

Periodically: Using the key provided unscrew the nozzle and remove. Rinse it with cleaning running water until any loose debris is cleared. Then replace the nozzle and tighten with key provided.

Maintenance

We do NOT recommend you use any household cleaners to clean the product. Because these cleaners change substance or formula too frequently. The product should be always cleaned only with soapy water and rinsed with clean water and dried with a soft cloth.

Option 1:
Burlington has 4 different style handle for your selection.

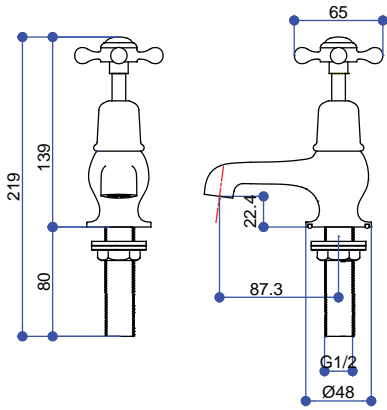
Claremont Anglesey Birkenhead Kensington

Option 2:
Burlington also have a base (27mm height) for your selection.

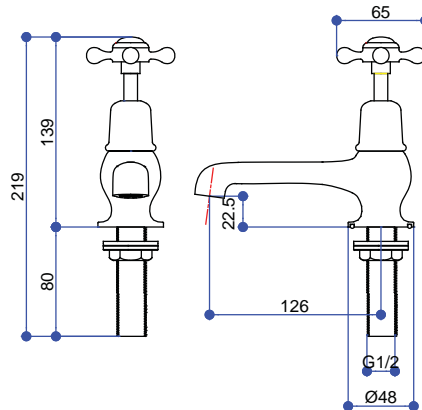
27mm

NOT INCLUDED IN THE TAP BOX

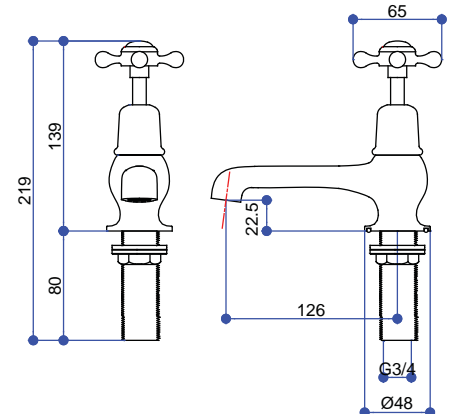
Dimension



Basin Tap 3" T5

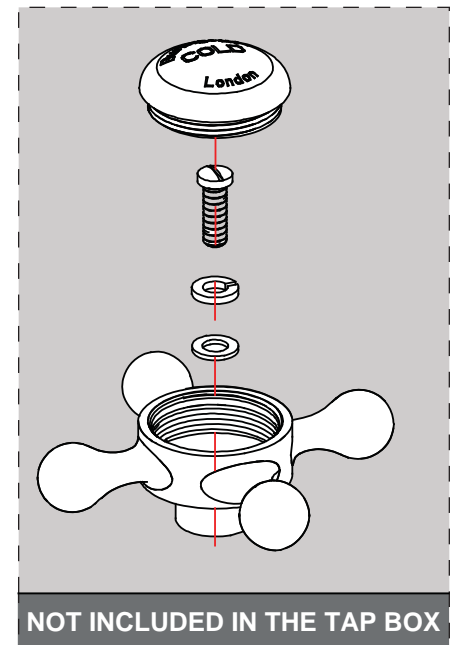
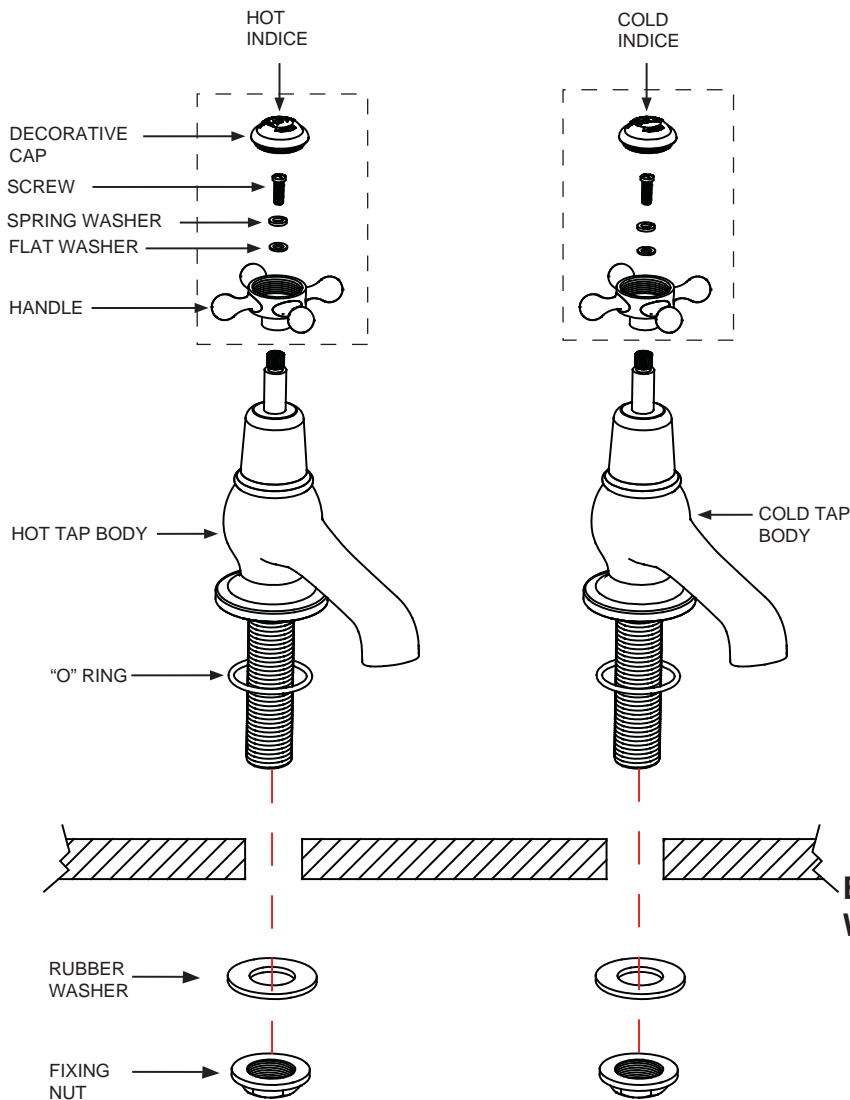


Basin Tap 5" T6



Bath Tap T7

Installation



Note: To ensure the Kensington lever tap head faces in the correct forward position once installed, you may need to tighten the cartridge into the tap body a notch with a monkey spanner and then re-attach the tap head.

1. From a front view, identify the hot tap on the left hand of the basin (bath), and the cold tap on the right.
2. Fit the "O" ring into the groove on the underside of the tap body.
3. Insert the tap body into the hole on the basin (or bath) from above.
4. Tighten the rubber washer & the fixing nut and secure the tap body on the basin (or bath)
5. Connect the water supply pipe to the tap body with the hot water on the left and cold water on the right.