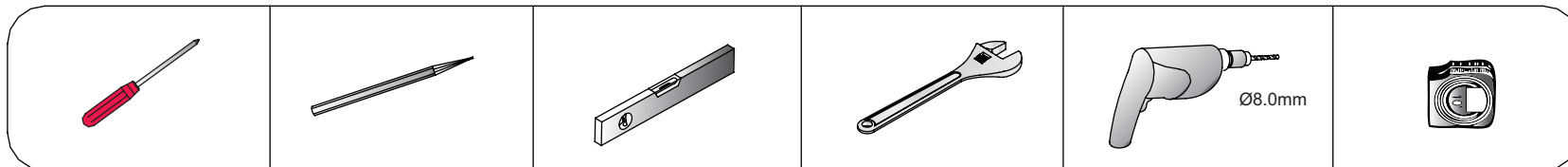
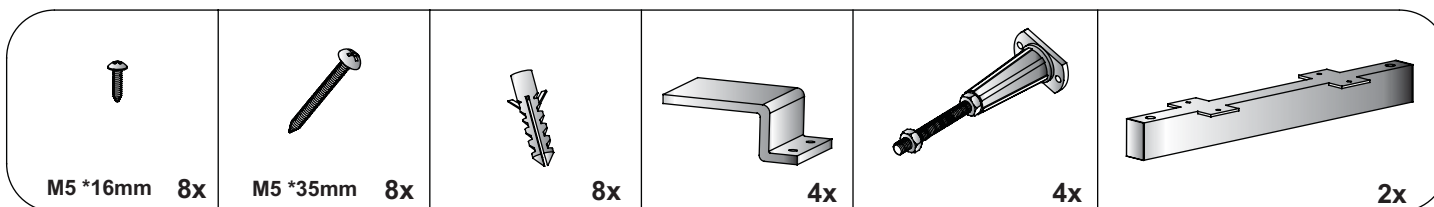


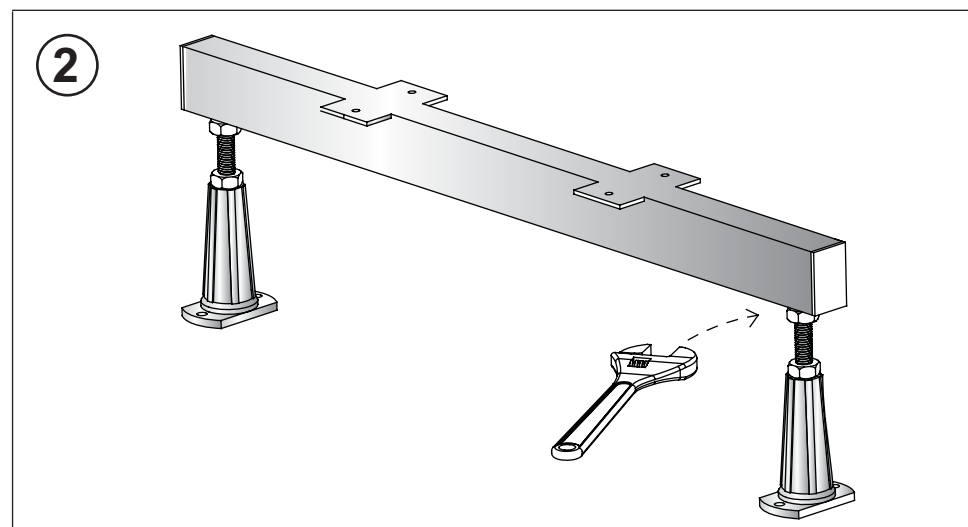
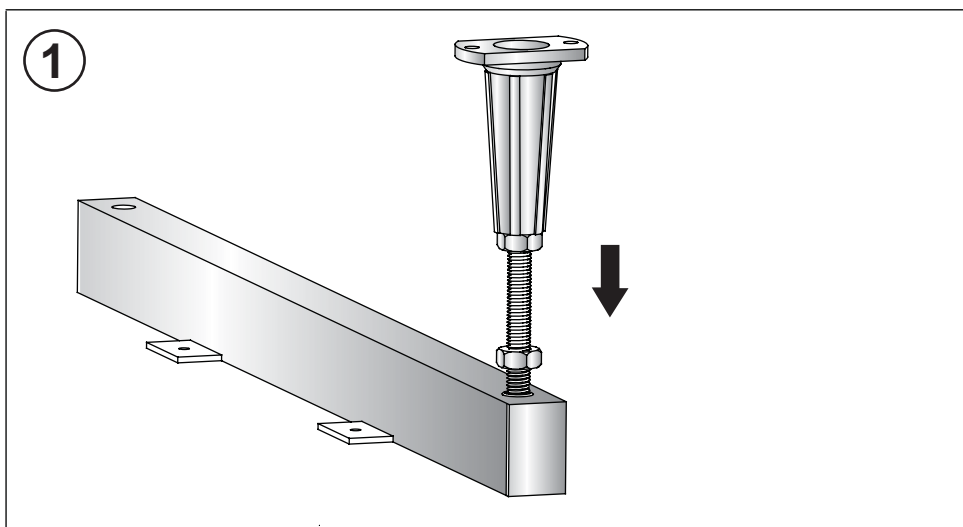
**Tools required:**



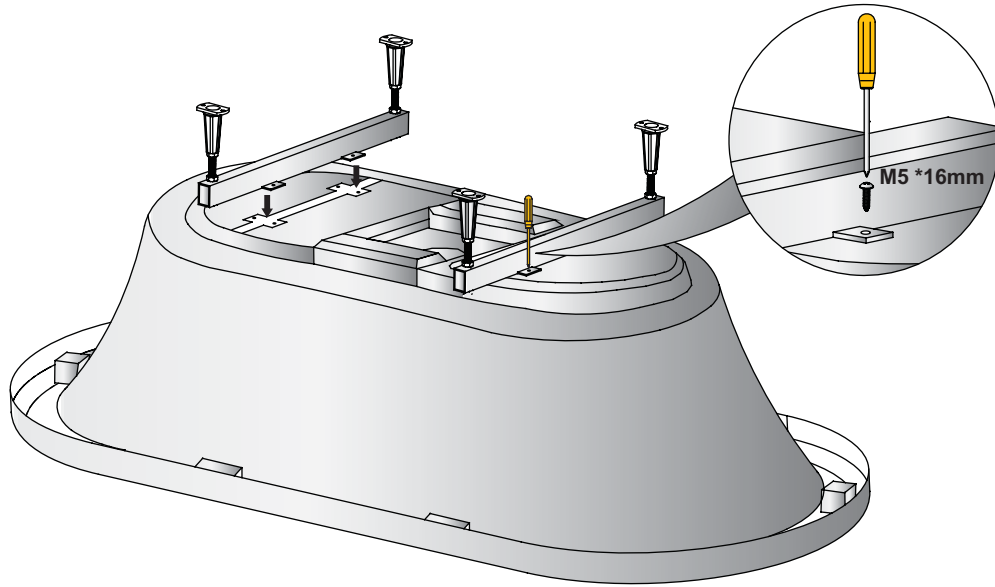
**Parts supplied:**



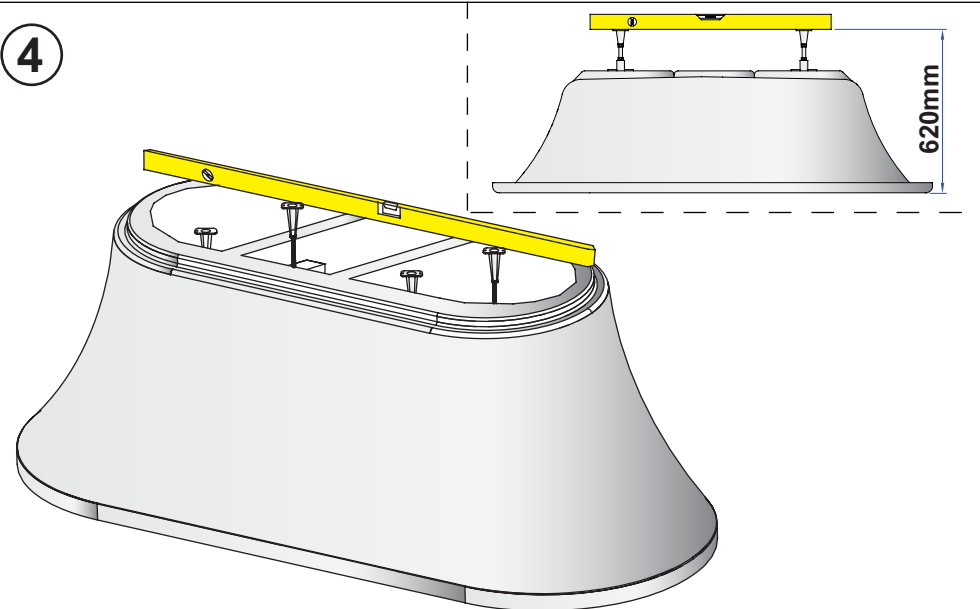
- Prior to installation check that all parts have been supplied.
- Assemble bath on a mat to protect against damage to bath surface.
- This product requires a two person lift - use proper lifting techniques.
- This installation guide does not include details of waste connection; final decision about installation of waste connection should be taken by a suitably qualified person.
- Follow each step in turn.



3

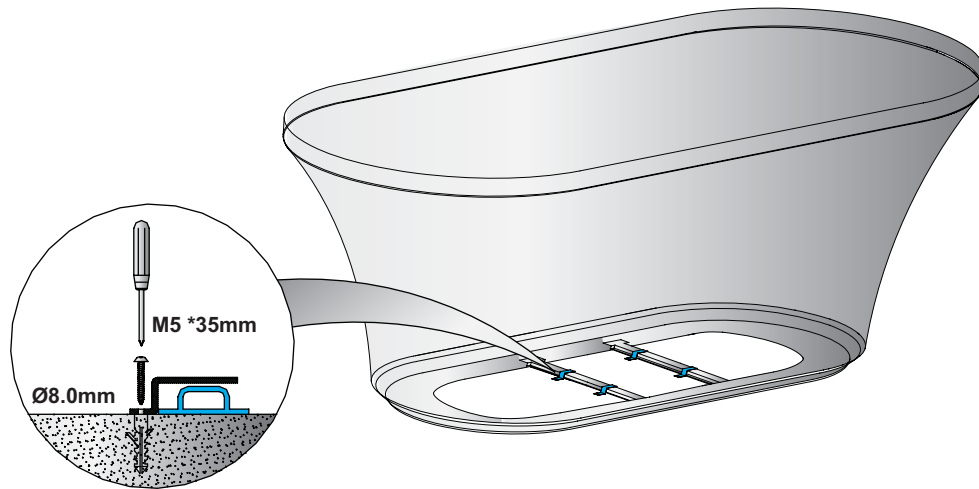


4



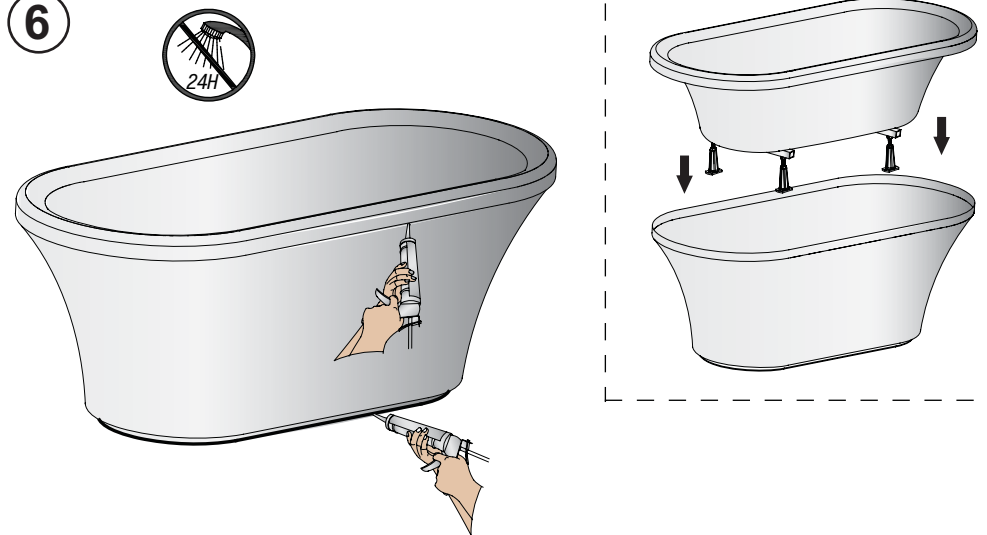
- Set the bath at the height of 620mm from floor to the top of the bath rim. Install the Surround on to the bath and adjust if required to ensure that the bath feet are level with the Surround in fitted position.

5



- All four floor brackets should face the same direction to allow the Surround to slide underneath during final installation.

6



- Once the overflow waste and taps have been fitted. The edge between the rim and the Surround should be sealed with a bead of clear silicon. The edge of the Surround and the floor should also be sealed with a bead of clear silicon.