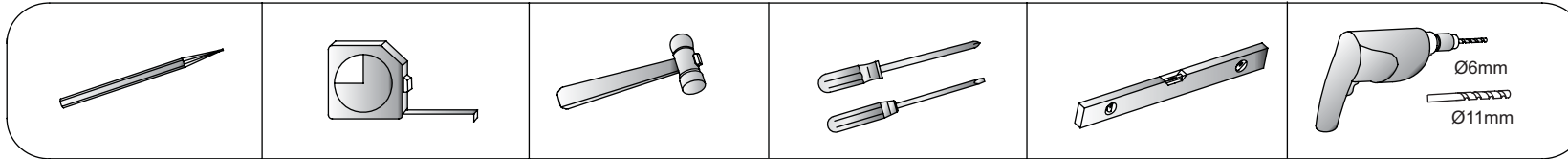
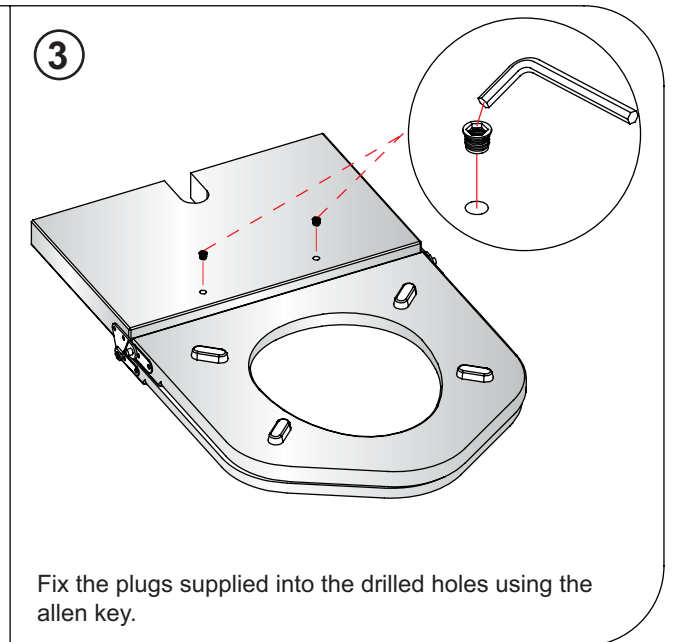
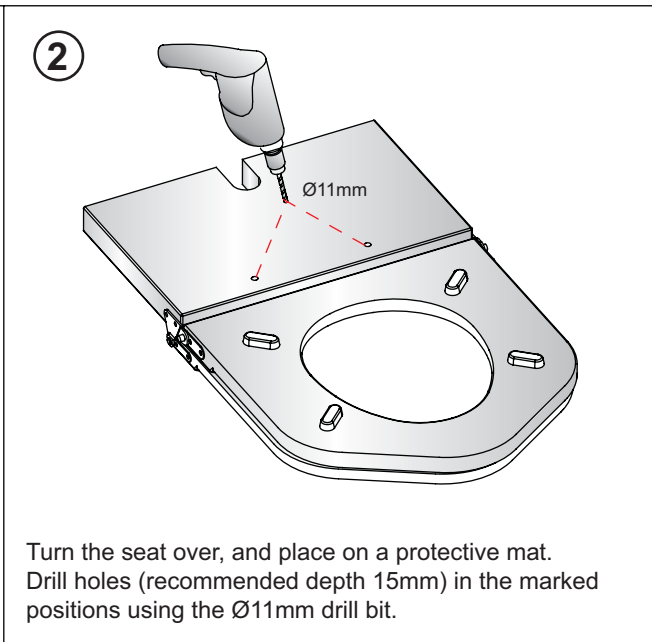
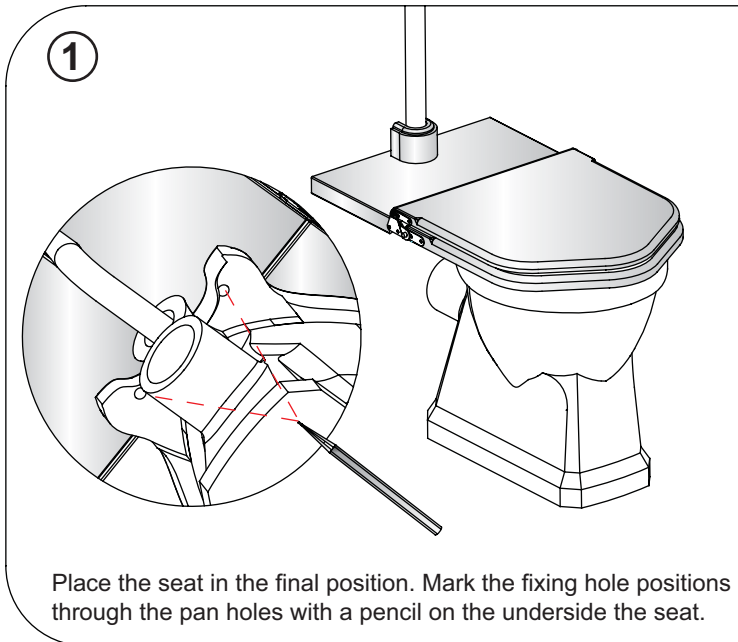
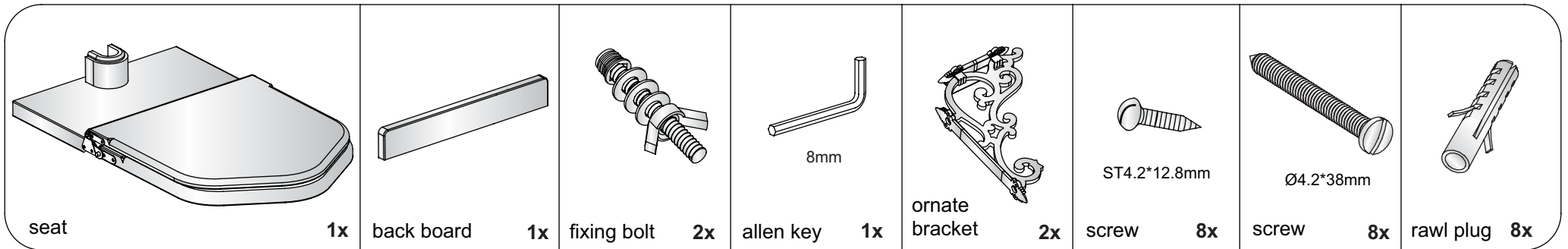


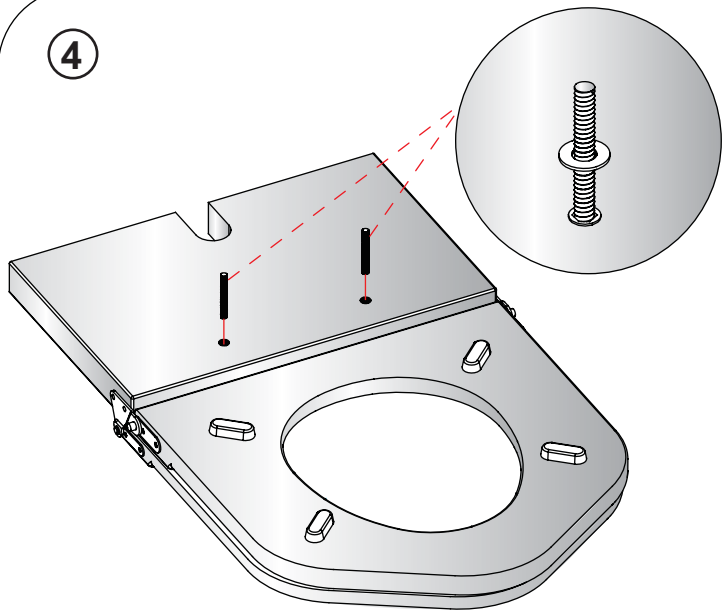
Tools required:



Parts supplied:

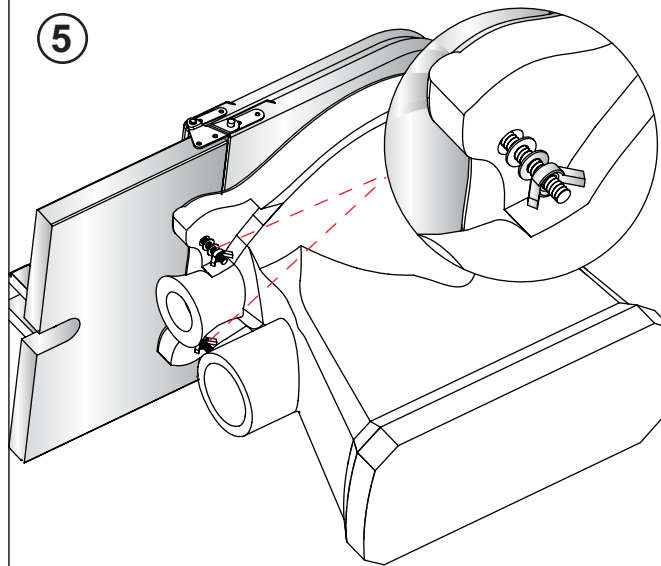


4



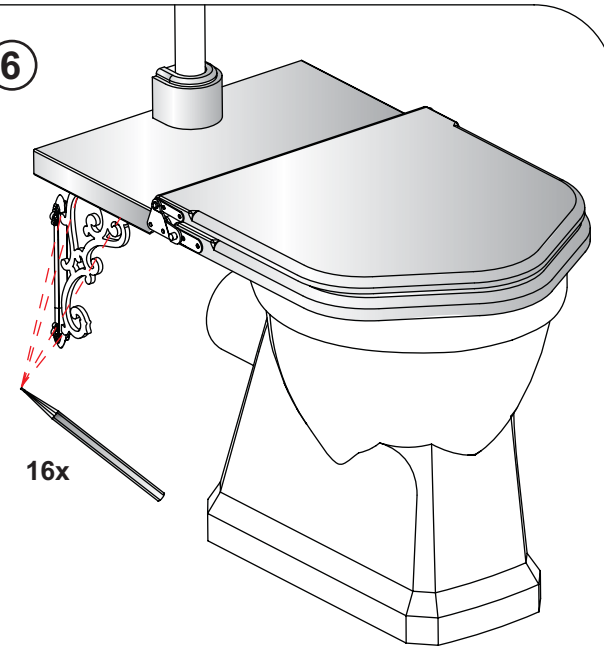
Screw the fixing bolts into the plugs, and attach on the washer.

5



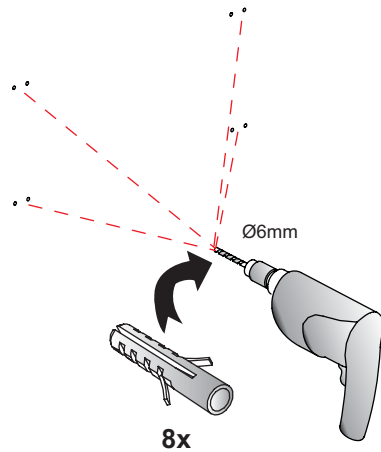
Reposition the seat with the fixing bolt inserted into the pan holes. Ensure the position is fit, and fix onto the pan by sliding up the rubber washer, brass washer and finally tighten by the nut.

6



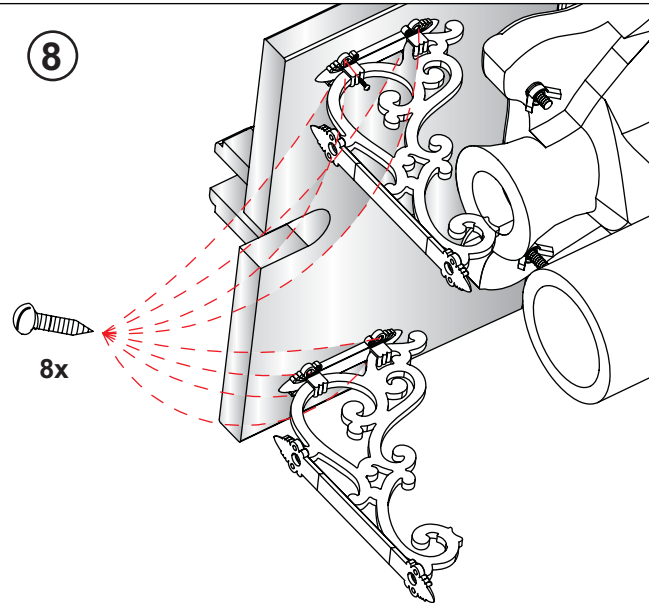
Place the ornate bracket into the fit position. Mark the fixing hole positions onto the wall and the seat by pencil.

7



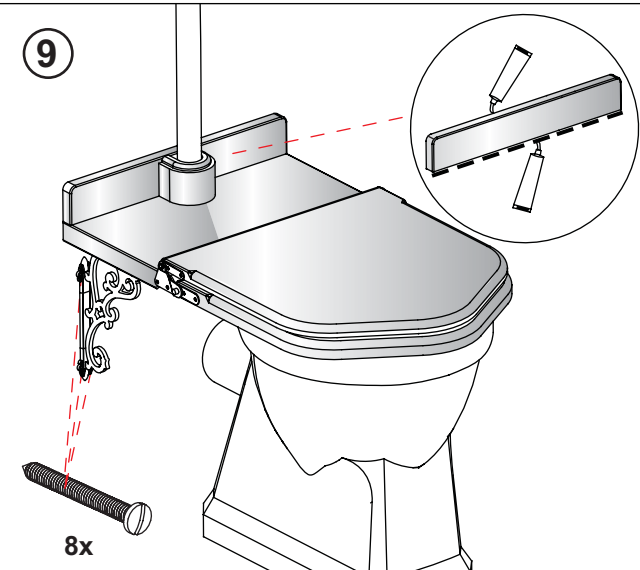
Drill holes using the Ø6mm drill bit following the marked positions, and insert the wall plugs.
(NOTE: In the event that the wall fixings supplied being inappropriate for the wall, please source alternatives).

8



Fix the ornate bracket onto the seat with the screws supplied following the mark positions.

9



Reposition the seat against the wall, align the ornate bracket holes with the predrilled holes on the wall, fix onto the wall by tightening the screw supplied. Finally attach the back board to the wall and seat using a suitable mastic for use with wood and tiled surfaces.