

Arctic Foot
L10



Claw Feet
L1B
L1W
L1C

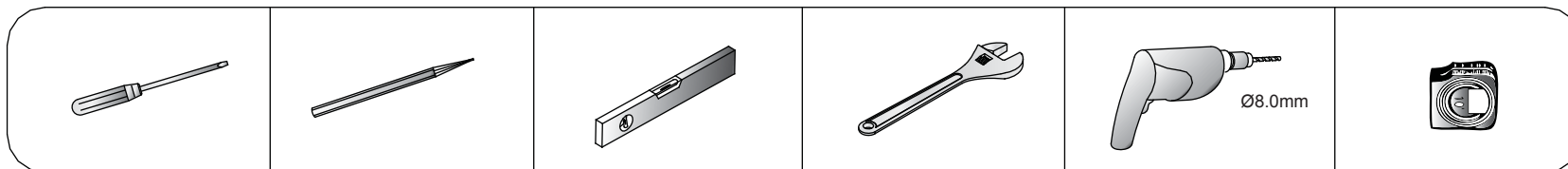


Arc Feet
L2B
L2W
L2C

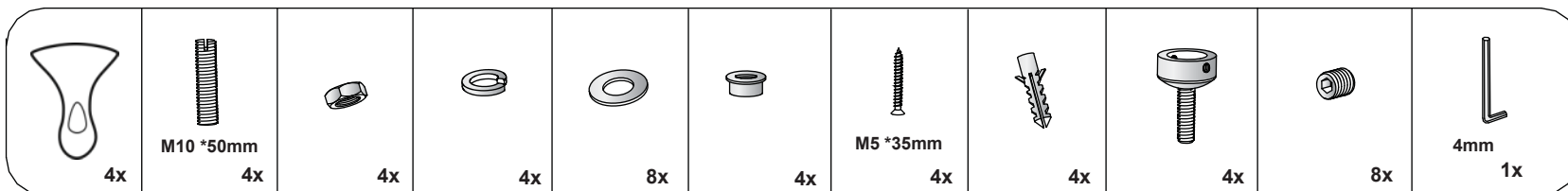


Classic Feet
L3B
L3W
L3C

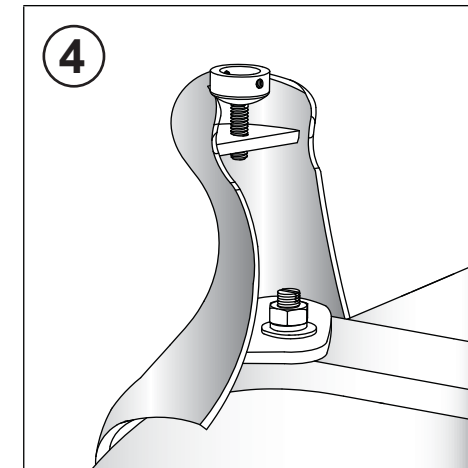
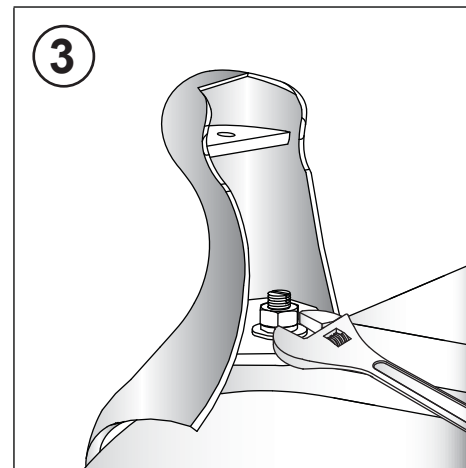
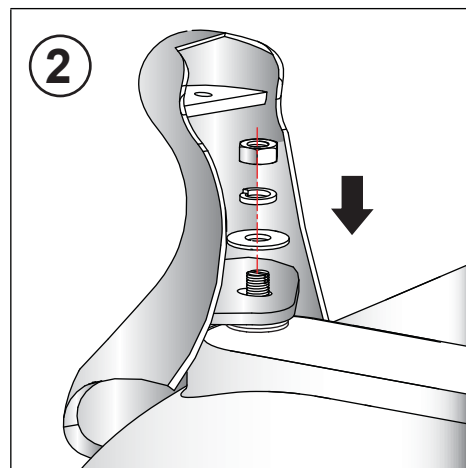
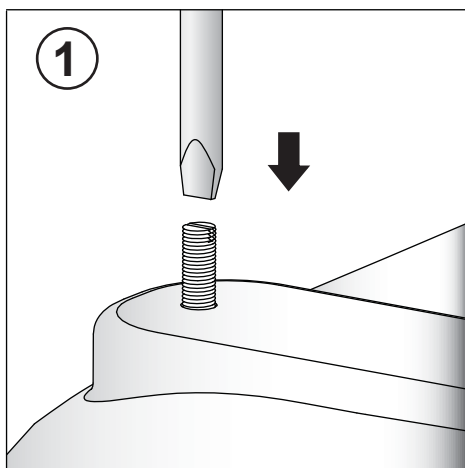
Tools required:

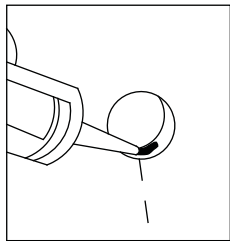
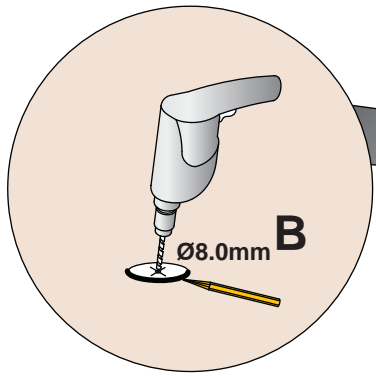
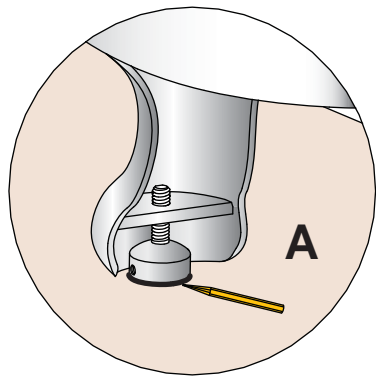


Parts supplied:



- Prior to installation check that all parts have been supplied.
- Assemble bath on a mat to protect against damage to bath surface.
- Bath diagram shown below is for reference only and bath legs fit to all baths.
- This product requires a two person lift - use proper lifting techniques.
- This installation guide does not include details of waste connection; final decision about installation of waste connection should be taken by a suitably qualified person.
- Follow each step in turn.





Once the bath is in the general position ready to be plumbed in, we suggest fitting the waste and overflow to the bath. Before you do this Clearwater insists you smear silicone sealant around the inside of the overflow and waste to ensure a totally water tight seal. This is shown in the diagram above.

